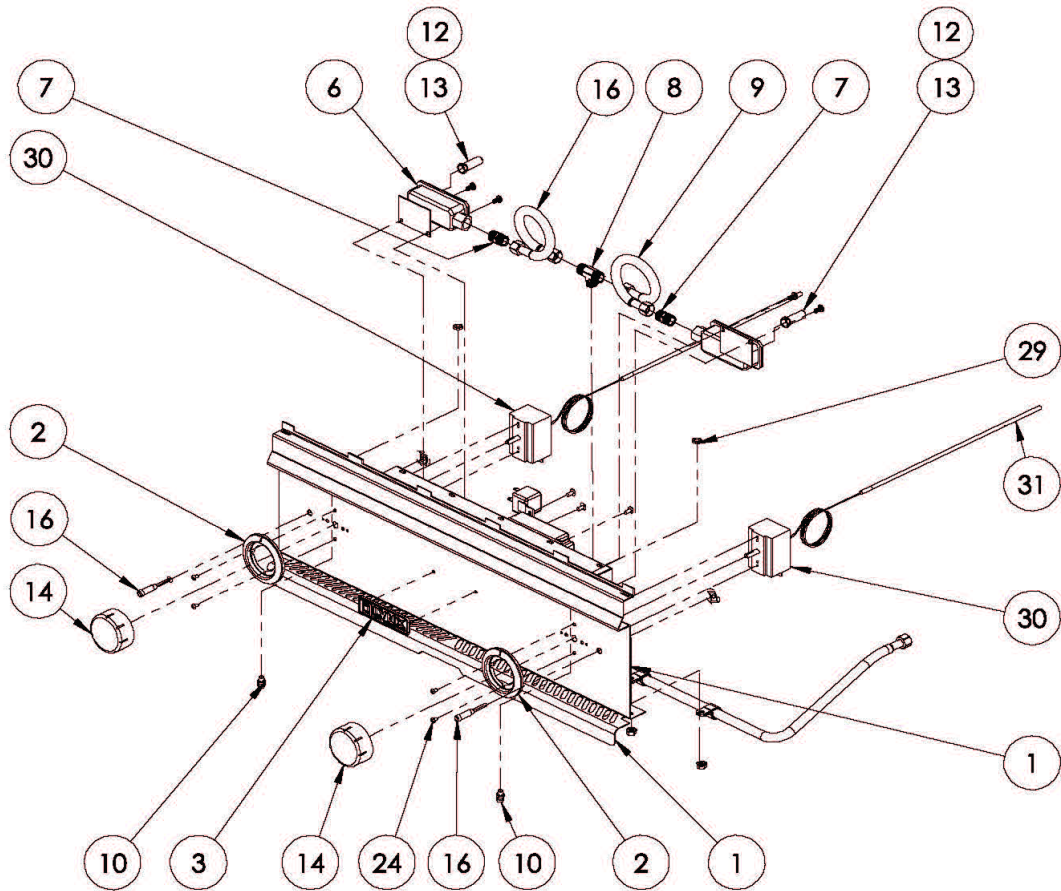
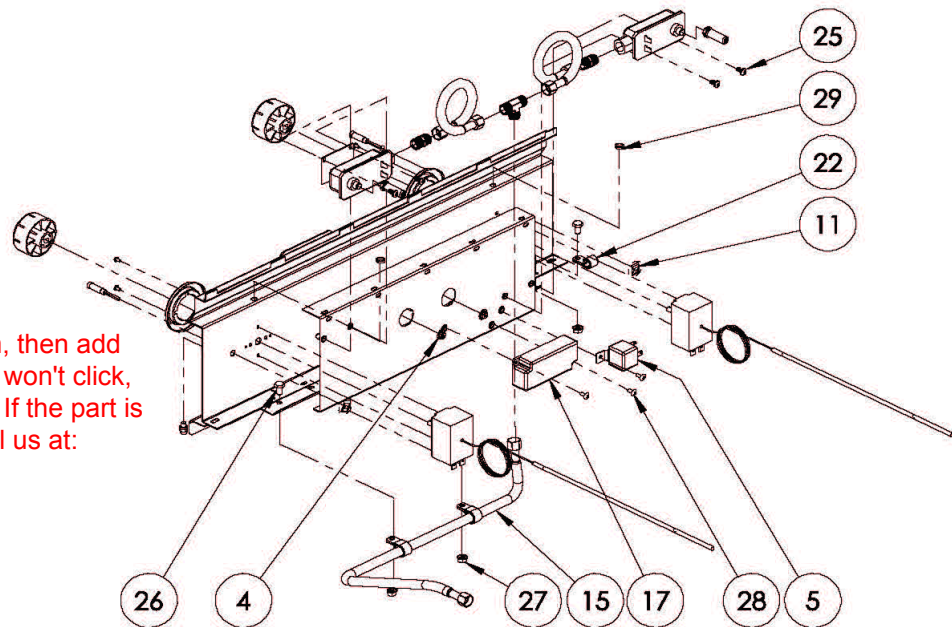


# L30AG Control Panel



CONTROL PANEL - EXPLODED FRONT VIEW



Click on any circled item, then add the part to your cart. If it won't click, the part is not available. If the part is not available, please call us at: 888.988.4546

CONTROL PANEL - EXPLODED BACK VIEW

Item	Part No.	Name	Qty	Uom	NOTES
1	70252	FRONT PANEL WELDMENT	1	EA	
2	10001	BEZEL	2	EA	
3	L11074	LYNX LOGO	1	EA	
4	31062	NUT, 1/8, SPEED, STEEL, SELF THREADING	2	EA	
5	34832	RELAY, SPST 30AMP	1	EA	
6	34837	VALVE, BI-METAL GAS	2	EA	
7	34870	FITTING, CONN, STRAIGHT, 3/8 TUBE	2	EA	
8	34864	FITTING, TEE, 3/8 TUBE	1	EA	
9	32836	FLEX TUBE, S/S, 3/8" X 9"	2	EA	
10	32554	LED HOLDER	2	EA	
11	34872	NUT, PUSH, ROUND, 5/16 SHAFT, SS	2	EA	
12	31335	ORIFICE, #42L, 1.375 (FOR NG VERSION)	2	EA	
13	31341	ORIFICE, #54L, 1.375 (FOR LP VERSION)	2	EA	
14	31419	KNOB, BURNER	2	EA	
15	32837	FLEX TUBE, S/S, 3/8" X 24"	1	EA	
16	70272	NEON LIGHT ASSY	2	EA	
17	70270	POWER 12VDC ASSY	1	EA	
18	70271	CABLE HARNESS, HI VOLTAGE	1	EA	
19	70268	LOW POWER HARNESS ASSY	1	EA	
20	70276	LED HARNESS, 30AG	1	EA	
21	70269	AC POWER HARNESS	1	EA	
22	34885	CLAMP, CUSHION, 3/8", HI- TEMP	1	EA	
23	34867	CLAMP, CUSHION, 1/2", HI- TEMP	2	EA	
24	L14018	SCREW, #6-32 X 1/4, PHP, SS	4	EA	
25	33706	SCREW, #10-32 X 3/8, PHP, SS	4	EA	
26	14030	SCREW, 1/4-20 X 1/2, HHD, SS	3	EA	
27	31876	NUT, 1/4-20, LKN, STEEL, W/ESL	3	EA	
28	14014	SCREW #8-32 x 3/8 PH TRUSS HEAD S/S	3	EA	

<b>Item</b>	<b>Part No.</b>	<b>Name</b>	<b>Qty</b>	<b>Uom</b>	<b>NOTES</b>
29	32055	WASHER, 5/16, SPL, SS	2	EA	
30	34838	SWITCH, THERMOSTAT PECO	2	EA	
31	31135	FIBERGLASS HEAT SLEEVE	2	EA	